

Instruction Manual

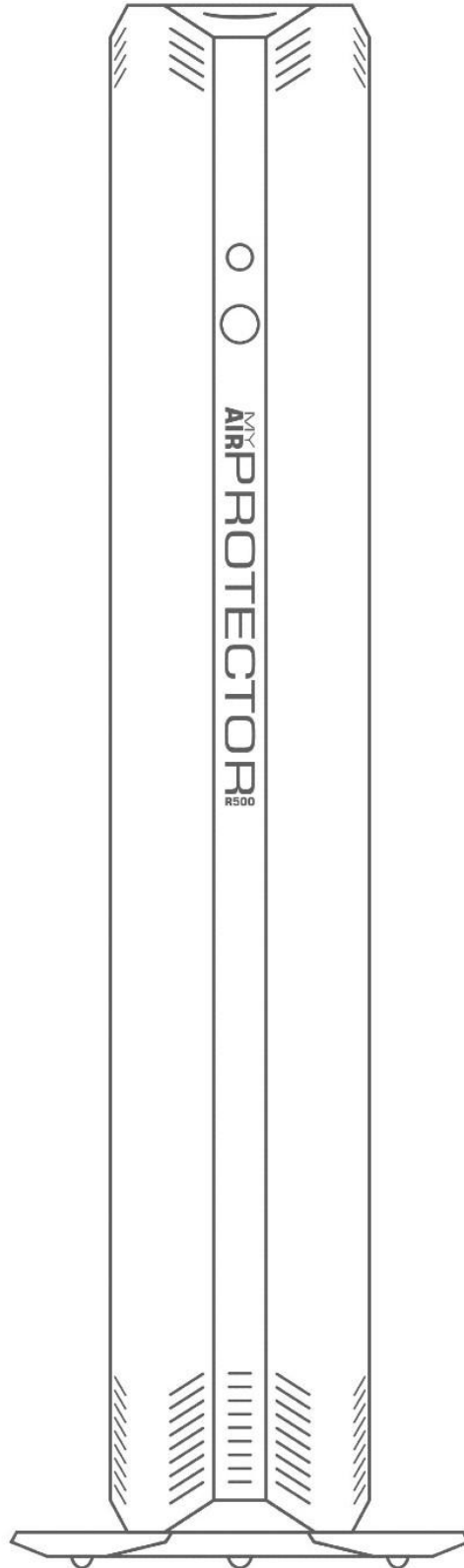


Table of Contents

1	Introduction	3
2	Label-specific information	3
2.1	Exclusion of Liability	4
2.2	Warranty	4
2.2.1	Performance data	5
2.3	Information on the manual	5
3	Safety references	6
3.1	Intended Use	7
3.2	Organizational measures	8
3.3	Staff selection and qualification	8
3.4	Safety references for particular operating phases	8
3.5	Safety instructions for individual parts of the device	9
4	Particulars for assembly instruction	10
4.1	Assembly instructions	Fehler! Textmarke nicht definiert.
4.1.1	Variants	10
4.1.2	Scope of delivery	11
4.1.3	Installation	13
5	Facility description	16
5.1.1	Electrical connection values	16
5.1.2	Dimensions and settings	16
6	Device operation	17
6.1	Preparatory activities	17
6.1.1	Safety and function monitoring	17
6.2	Switching on the system	18
6.3	Operation	18
6.4	End of operation	18
6.5	System restart after malfunction	19
6.6	Cleaning the system	19
7	Maintenance	20

8	Malfunction analysis	26
9	Disposal	27
10	Index	28
11	Feedback	29

1 Introduction

Dear Customer

Thank you for choosing ROOMMAP! ROOMMAP offers you sophisticated and reliable technology, functionality and an attractive design. Should you have any complaints despite our careful quality control, please contact our central customer service. We will be happy to help you.

Customer Service / Replacement

E-mail service@myairprotector.de

Phone +49 (0) 7731 / 9440795

Fax +49 (0) 7731 / 943959

All services are available on:
Mo – Fr 9 am till 4 pm

Outside of business hours, please let us know your requirements by email or fax.



2 Label-specific information

MyAirProtector GmbH hereby declares that the ROOMMAP 500 complies with VDI 6022 directive 2014/53 / EU. The devices also meet the requirements of the following EU directives: RoHS Directive 2011/65 / EU.

In order to maintain this condition and to ensure safe operation, as the user, please observe these operating instructions! Before using the product for the first time, read through the entire operating manual and observe all operating and safety instructions!



2.1 Exclusion of Liability

These operating instructions were created with great care. Should you nevertheless notice any omissions or inaccuracies, please notify us in writing at the address given above. MyAirProtector GmbH assumes no liability for technical and typographical errors and reserves the right to make changes to the product and the operating instructions at any time without prior notice. MyAirProtector GmbH is not liable or responsible for personal injury, property damage or damage to the device as well as direct and indirect consequential damage that occurs or has occurred in connection with repairs and other actions by unqualified electricians. It is strictly forbidden to make technical changes to the device without authorization.

MyAirProtector GmbH assumes no liability or guarantee for the correctness, topicality and completeness of the information in this document.

2.2 Warranty

MyAirProtector GmbH grants a warranty of 2 years from the date of purchase. Each device is carefully produced in Germany and subjected to a careful final inspection by MyAirProtector GmbH.

In the event of damage, please contact the respective seller on the respective service phone number and have the invoice / proof of purchase ready. If in doubt, please contact our service center directly. This is the only way to ensure that your goods are sent in smoothly. A warranty can only be granted for material and production defects, but not for transport damage, wearing parts, such as illuminants, or if fragile parts are damaged, e.g. a switch or lamp.

Excluded from the warranty:



Information

- Visible damage such as scratches, broken parts, stains / discoloration or other damage or defects caused by misuse, incorrect use, neglect, vandalism, changes / modifications or non-observance of the instructions for use.
- Use of non-original parts.
- Damage caused by the product falling or by incorrect transport, incorrect packaging or incorrect storage.
- Repair by an unauthorized third party.

2.2.1 Performance data

1x UV-C- fluorescent tubes	
Electrical power	75 W
UV-C-power	25 W
Wavelength	253,7 nm
operational lifetime	9.000 h

Fan	
Maximum power	50 W
Volume flow of fan	565 m ³ /h
Environmental noise (sound pressure level)	44 dB(A)

ROOMMAP 500	
Maximum power	130 to 280 W
Effective volume flow	100 - 400 m ³ /h ± 10%
Environmental noise (sound pressure level measured from 1m distance / 30 dB(A) ambient value)	38 – 57 ± 2 dB(A)

2.3 Information on the manual

Created by: D. Deuer		Date: 21 st September 2020			
Checked by: T. Scholz		Date: 24 th September 2020			
Approved by: S. Dukart		Date: 28 th September 2020			
1	Content updated to reflect model update	1	2020.11.06	D. Deuer	M. Boesner
2	Details added	2	2020.12.08	D. Deuer	M. Boesner
3	Content updated and details added	3	2021.02.26	D. Deuer	M. Boesner
4	Technical data Revised	4	2021.09.17	V. Ntokos	D. Deuer
5	Technical data Revised	5	2021.11.11	V. Ntokos	D. Deuer
Index	Change	Issue	Date	Changed by	Checked by

3 Safety references

Safety references and symbols

The following designations and symbols are used in the operating instructions for particularly important information:



Information

Special hints on operating the system, e.g. to avoid malfunctions.



Hints

Special information, e.g. regarding the economical use of the device.



Attention

Special information or requirements and prohibitions to prevent damage.



Warning

Information or instructions and prohibitions to prevent personal injury or extensive damage to property.



Danger

Information on particular dangers that are imminent if the hazard warnings are not observed.

3.1 Intended Use



After receiving the package, check it for packaging damage and document this accordingly. If the packaging is severely damaged, the shipment should be rejected. A damaged device must not be put into operation.

The device is designed for the purpose of cleaning or disinfecting the ambient air, especially for poorly or non-aerated interiors. The use of the device minimizes the risk of infection, especially in the case of virus- or bacteria-based infections.

However, infection cannot be ruled out. Especially if the user of the device does not adhere to official hygiene regulations, recommendations, ordinances, laws or binding instructions, such as minimum distance, mouth and nose covering and similar measures and provisions. For an optimal effect, the devices should be spaced evenly in the room.



- Do not cover air openings!
- Follow the manufacturer's installation recommendations!
- Always place the device on the bracket supplied by the manufacturer!

Intended use includes observing the operating instructions, in particular the safety instructions, and observing the inspection and maintenance conditions.



Information

This product is not a medical product according to the Medical Devices Act - MPBetreibV, and it is not subject to its restrictions.

3.2 Organizational measures

- The employee assigned to work on the device must have read and understood the operating instructions, especially the chapter on safety, before starting work. It is too late during work. This applies in particular to personnel who only work on the machine occasionally, e.g. for maintenance.
- The operating instructions must always be kept ready to hand in printed or digital form at the place of use of the system.

In addition to the operating instructions, the generally applicable, statutory and other binding regulations on accident prevention and environmental protection must be observed and instructed.

3.3 Staff selection and qualification

- Only employ trained or instructed personnel. Clearly define the responsibilities of the staff for operation, maintenance and repair!
- Work on the electrical equipment of the system may only be carried out by a qualified electrician or by specially trained persons in accordance with the electrotechnical safety rules.

3.4 Safety references for particular operating phases

- Only operate the system if all protective devices and safety-related devices, e.g. detachable protective parts, are available and functional.



Attention

This is especially true for the safety cover!

- Immediately eliminate faults that could impair safety.
- Carry out the prescribed adjustment, maintenance and inspection work in due time.

3.5 Safety instructions for individual parts of the device

General use:



Danger

- UV-C radiation is dangerous for the eyes and skin. The removal of the enclosure is not permitted.
- If the power cord is damaged, it must be replaced by the manufacturer.
- Do not immerse the device in liquids or operate it when it is wet.

Filter replacement:

- Attention: Observe hygiene measures after changing the filter!
 - Wear gloves
 - Don't put your hands in the face
 - Washing hands

Lamp replacement:

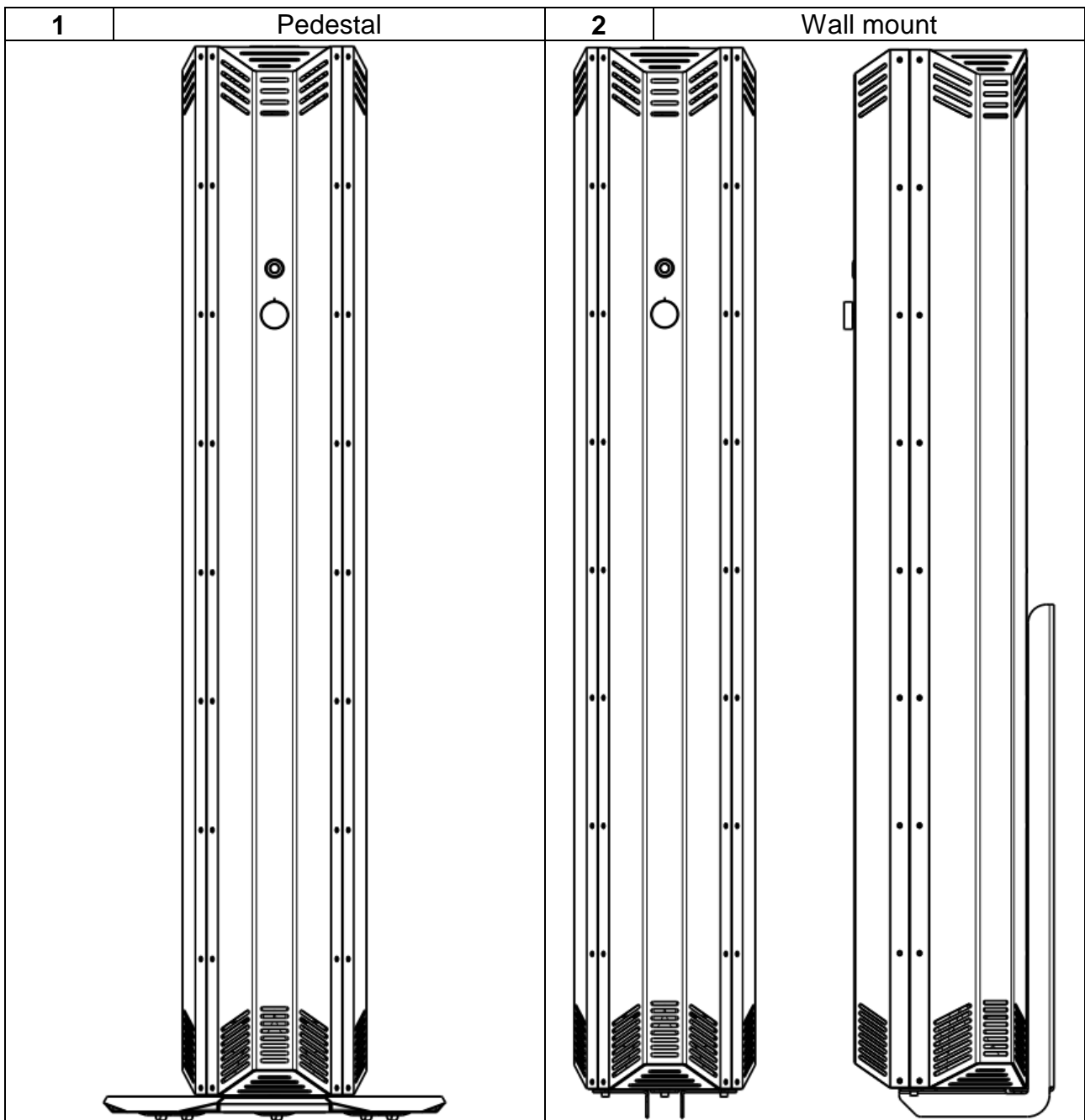
- Only certified electricians may replace the lamps.
- Attention: Before replacing the lamp, disconnect the device from the mains and secure it against being switched on again!

Observe the nationally applicable safety regulations during use. In the Federal Republic of Germany, the guidelines of the employers' liability insurance association must be observed. For other countries, the national safety guidelines must be observed.

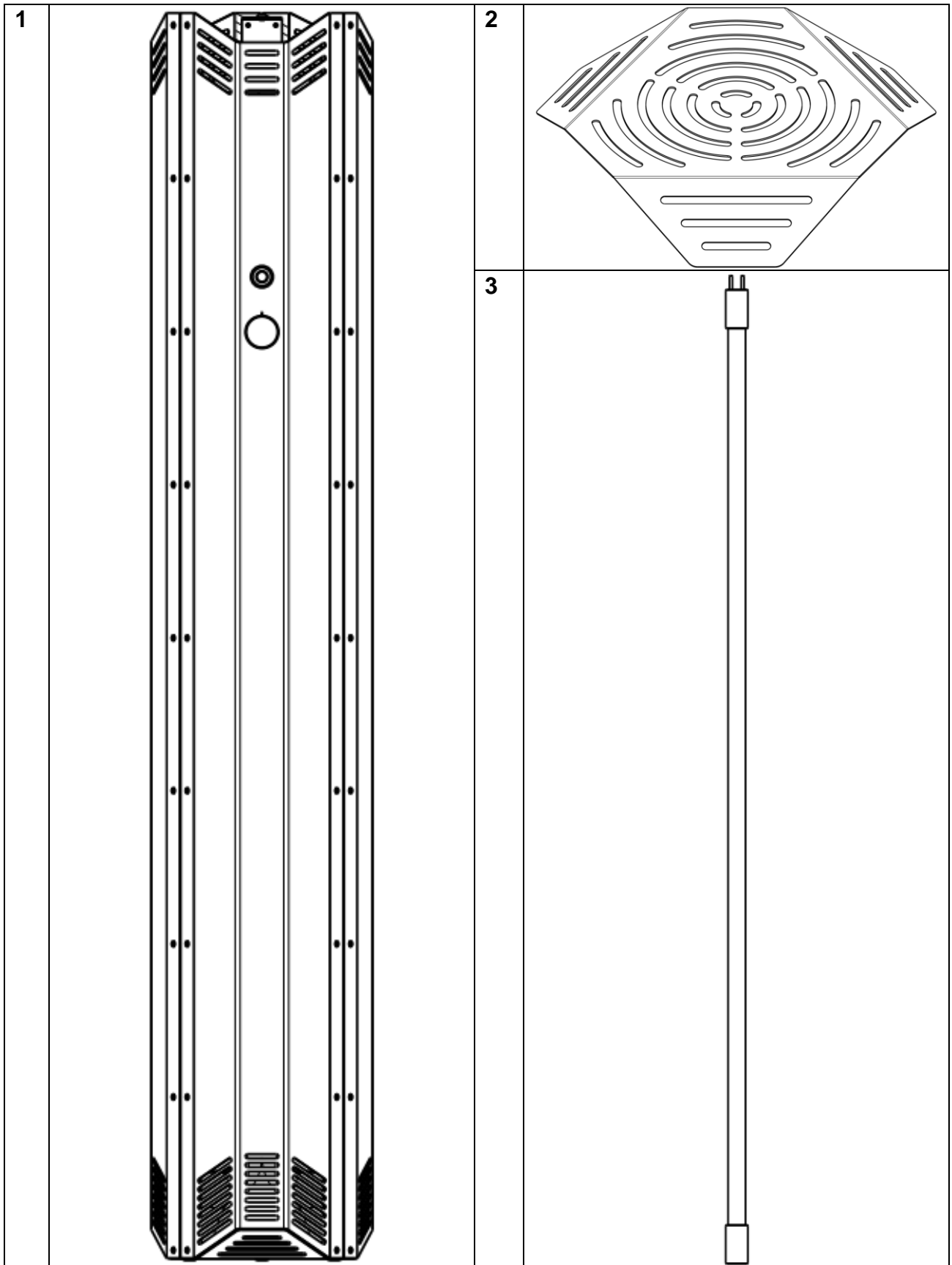
4 Assembly instruction

4.1 Installation

4.1.1 Variants



4.1.2 Scope of delivery



4		7	7.a
5			7.b
6			
8		9	
10		11	

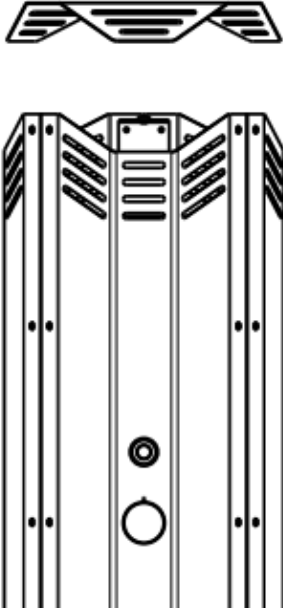
1. Main body		1x
2. Cover		1x
3. UV-C- fluorescent tube		3x
4. G4 Filter		1x
5. M6 Screw	(DIN 912/ISO 4762-M6 x 14mm)	3x
6. Pedestal ¹²		1x
7. M5 Screw ¹	(ISO 7380-2-M5 x 6mm)	2x
8. Wall mount ¹²		1x
9. M6 Washer ¹	(DIN 902/ISO 7093 6,4x18x1,6mm)	3x
10. Wall screw ¹	(DIN 571-Ø6mm x 60mm)	3x
11. Dowels ¹	(Ø8mm x 51mm)	3x

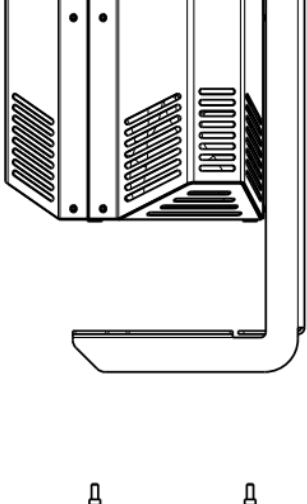
¹ These components are optional and depend on the variant ordered.

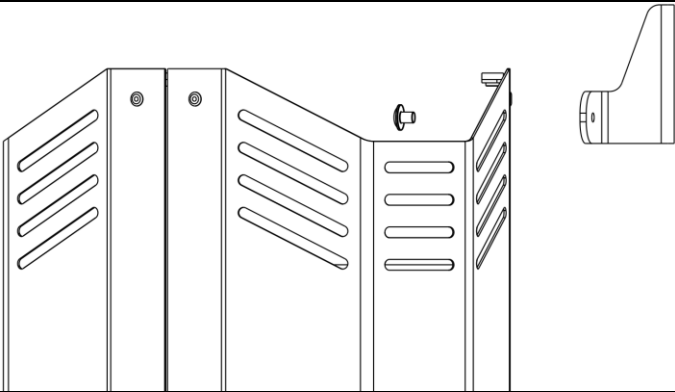
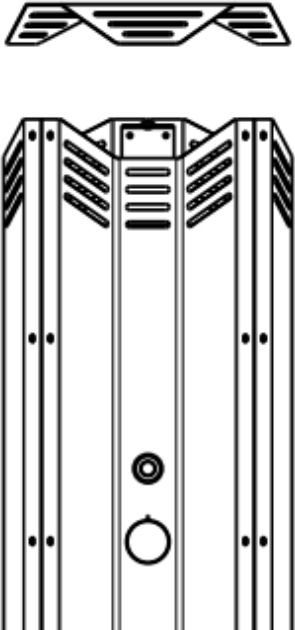
² Items are available from MyAirProtector GmbH.

4.1.3 Detailed installation instruction

Variant 1: Pedestal	
Step 1	
	<p>Carefully place the base body (item 1) on a flat and stable surface. Make sure that the power switch is not pointing downwards.</p>
Step 2	
	<p>Now position the pedestal (item 6) on the lower side (right hand side in picture) of the base body (item 1).</p>
Step 3	
	<p>Now attach the pedestal (item 6) with the three screws provided (item 5).</p>
Step 4 (optional)	
	<p><i>When inserting the G4 filter (item 4) make sure that the flat side is facing down.</i></p>

Step 5	
	<p>Now place the cover on the air intake. The cover is held on the device by magnets.</p> <p>Your air disinfection device is now ready for use!</p>

Variant 2: Wall mount	
Step 1	
<p>Position the wall mount (item 7.a) on the wall at the desired location. Use a pencil to mark the two holes in the wall mount (item 7.a) on the wall.</p>	
Step 2	
<p>Drill the required holes (Ø8mm and 80mm deep) into the wall. Now insert two of the wall plugs (item 11) into the holes you have drilled.</p>	
Step 3	
<p>Fasten the wall mount (item 7.a) onto the wall with the wall screws (item 10) and the M6 washers.</p>	
Step 4	
	<p>Place the main body (item 1) on the wall mount (item 7.a). Then attach the main body (item 1) with the M6 screws (item 5).</p>

Step 5	
	<p>Position the small part of the wall mount (item 7.b) towards the wall at the top ventilation slots. Screw this with the enclosed M5 screws (item 8) slightly (must be removed in a later step).</p>
Step 6	
<p>Use a pencil to mark the hole in the wall mount (item 7.b) on the wall. Unscrew the wall mount (item 7.b) again and drill the previously marked hole into the wall.</p>	
Step 7	
<p>Put the third wall plug (item 11) into the hole and screw everything tight.</p>	
	<p>Now place the cover on the air intake. The cover is held on the device by magnets.</p> <p>Your air disinfection device is now ready for use!</p>

5 Device description

	<ol style="list-style-type: none"> 1. Label 2. Mains connection 3. Fuse 3A 4. Main power switch (On/Off)
	<ol style="list-style-type: none"> 5. Operating switch (On/Off) 6. Rotary control for volume flow 7. (continuous adjustment of the volume flow) Markings at: <ul style="list-style-type: none"> • Level 1: 100 m³ / h • Level 2: 200 m³ / h • Level 3: 300 m³ / h • Level 4: 400 m³ / h

5.1.1 Electrical connection values

Voltage U _N	220 V - 240 V / 50 Hz - 60 Hz
Total power consumption	130 to 280 W
Current I _{max}	3 A

5.1.2 Dimensions and settings

Dimensions:	
Case dimensions:	250 mm x 250 mm x 1.420 mm
Weight :	Main body 19 kg
	With pedestal 24 kg
	With wall mount 21 kg

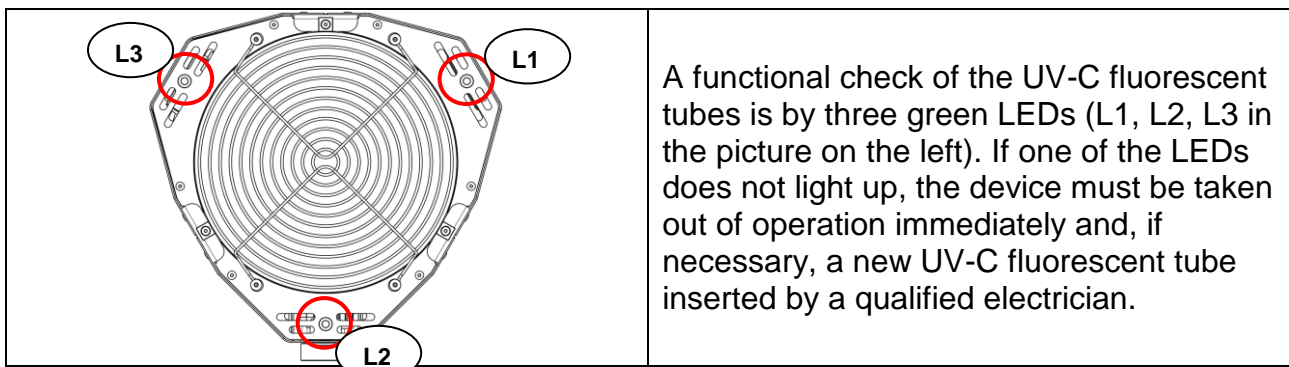
Settings:	
Volume flow	100 m ³ /h – 400 m ³ /h

6 Device operation

6.1 Preparatory activities

- Attention: The information on disinfection performance only applies to the UV-C lamps offered by the manufacturer. If unauthorized UV-C lamps are used, neither the disinfection effect nor the safety of the device can be guaranteed.
- Do not place the air disinfection device in the direct vicinity of heaters, ovens, other heat sources or in direct sunlight. Only operate the device in locations with temperatures in the permissible ambient temperature range of -10° to $+40^{\circ}$ C.
- The air disinfection device must not be set up in walkways or escape routes. For the desired cleaning time of your room, the respective recommendation in the country must be observed.

6.1.1 Safety and function monitoring



The function of the fan can be checked by its noise level. If the noise shows irregularities or is no longer audible, please contact the service center.



The device disinfects the air by means of UV-C radiation, not by filtering the particles. The built-in G2 filter protects the fluorescent tubes from contamination and must not be removed.



The G4 filter included in the delivery can optionally be used for finer air filtration. Please only use filter types approved by MyAirProtector GmbH.

6.2 Switching on the system

- Plug the power cord into the power connector (2).
- Switch on the main switch (4).
- Press the operating switch (5) to switch on the device.
- Set the required fan output on the rotary control (6).

Extract from the standard: ASR A3.7: May 2018

Chapter 3.16 Activity categories I, II, III.



Hint

Chapter 5.1:

- (1) While performing activities in activity category I, a rating level of 55 dB (A) must not be exceeded.
- (2) While performing activities in activity category II, a rating level of 70 dB (A) must not be exceeded.



Information

UV-C fluorescent tubes only reach their full disinfection performance after a few minutes!

6.3 Operation

- In the event of work interruptions, such as breaks, you can set the device to maximum power with the rotary control (6).
- Additional regular intermittent ventilation is recommended.

6.4 End of operation

- Press the operating switch (5) to switch off the device.
- Disconnect the device from the power supply using the main switch (4)

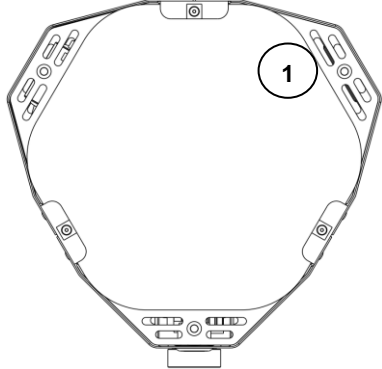
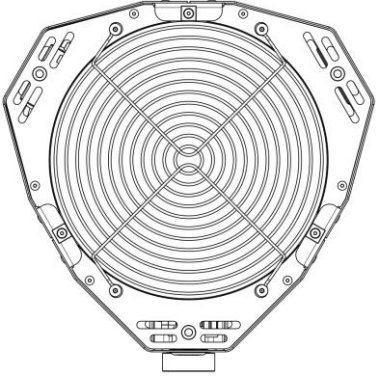

6.5 System restart after malfunction

- In the event of a malfunction or overheating, the device switches itself off and must be switched on again manually by pressing the operating switch (5). If the device is switched off repeatedly, the service technician or a qualified electrician must be informed. Please make sure that the device and especially the ventilation openings are not covered.

6.6 Cleaning the system

- Switch off the main switch (4).
- Unplug the power cord from the power connector (2).
- Clean the outside of the device with a slightly damp cloth.
- Dry the device with a cloth before switching it on.

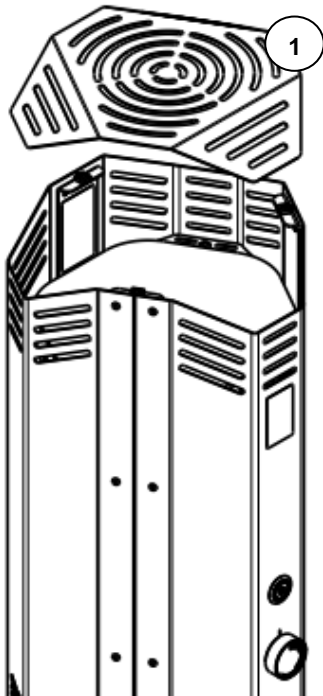
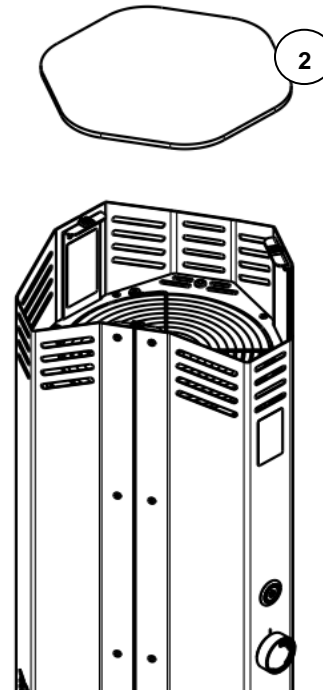
7 Maintenance

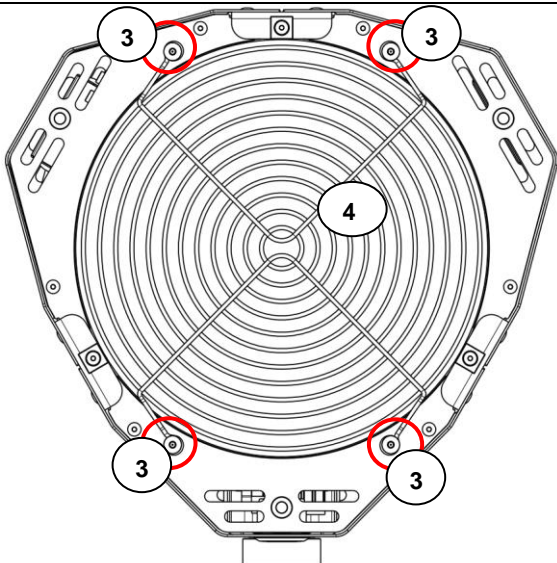

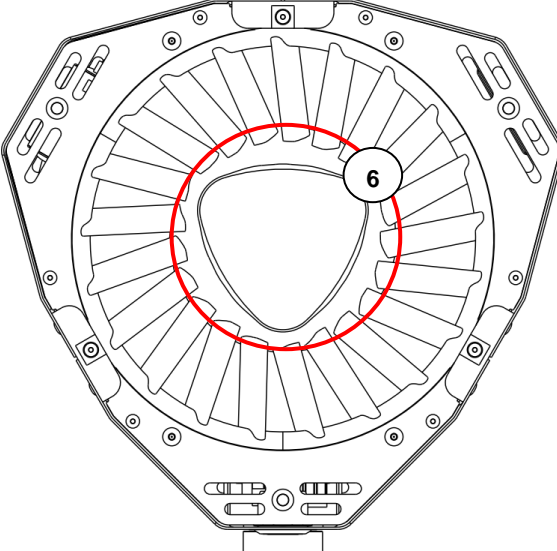
Particle filter G4	
	<p>The inserted G4 particle filter should be changed at regular intervals.</p> <p>Recommended cycle: 3 months. No later than after 2000 operating hours!</p>
Particle filter G2	
	<p>The G2 particle filter under the grille should be changed at regular intervals.</p> <p>With G4 particle filter Recommended cycle: 12 months. After 9000 operating hours at the latest!</p> <p>Without G4 particle filter Recommended cycle: 6 months. No later than after 4500 operating hours!</p>
UV-C-fluorescent tube	
	<p>Designation: TUV 36 T5 HO 4P SE</p> <p>The UV-C fluorescent tubes should be replaced annually for optimal disinfection performance. This is based on the recommendation of the lamp manufacturer.</p> <p>We recommend always replacing all UV-C fluorescent tubes when replacing.</p> <p>Recommended cycle: 12 months. After 9000 operating hours at the latest!</p>



Hint

When servicing the air purification device, we recommend wearing gloves and mouth and nose protection, especially when handling the filter mats.

Step 1	
	Lift the cover (1) off the magnets and put it aside.
Step 2 (optional)	
	Remove the G4 filter (2) if present and dispose of it according to the specifications.

<p style="text-align: center;">Step 3</p> 	<p>Loosen the four marked screws (3) and remove the cover grille (4).</p>
<p style="text-align: center;">Step 4</p> 	<p>Remove the G2 filter (5) and dispose of the filter according to the instructions.</p>
<p style="text-align: center;">Step 5</p> 	<p>Carefully remove the cover plug (6) from the visual cover.</p>

Step 6	
	<p>For a safe and easy replacement of the UV-C fluorescent tubes, place the device on a flat and stable surface.</p> <p>Make sure that the control dial is not damaged!</p>

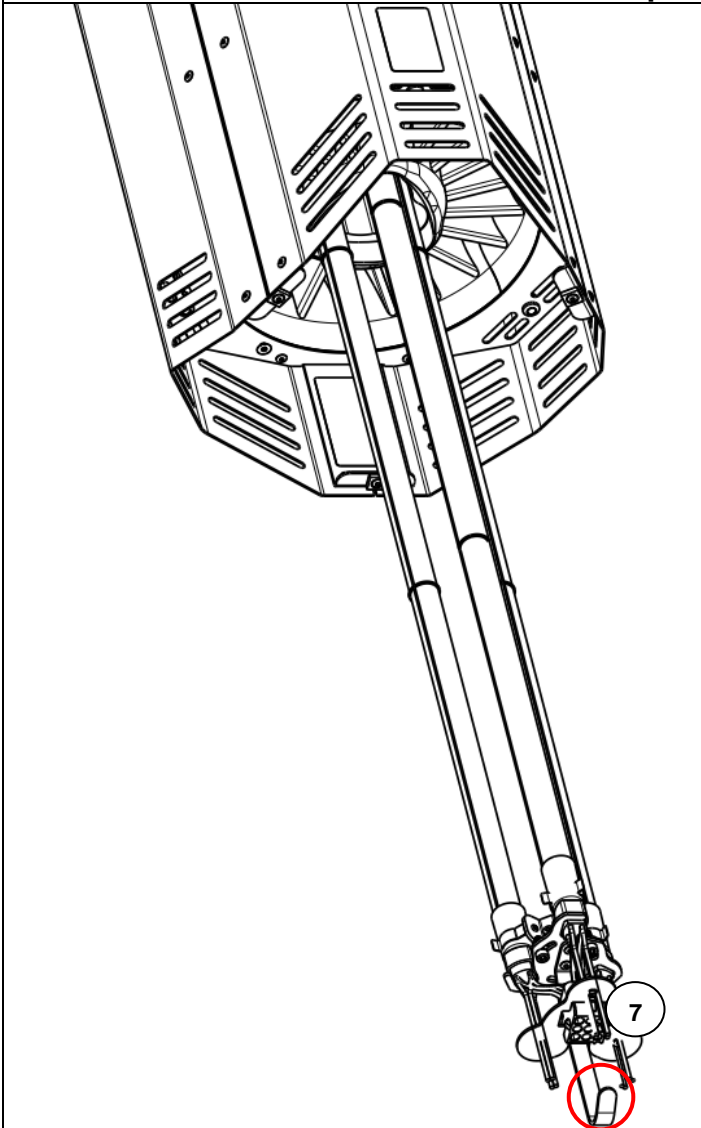


Failure to comply with step 6 can cause the UV-C fluorescent tube to drop and break when put into the device. This will release mercury!

If the UV-C fluorescent tube breaks, ventilate the room for 30 minutes before disposing of the UV-C fluorescent tube!

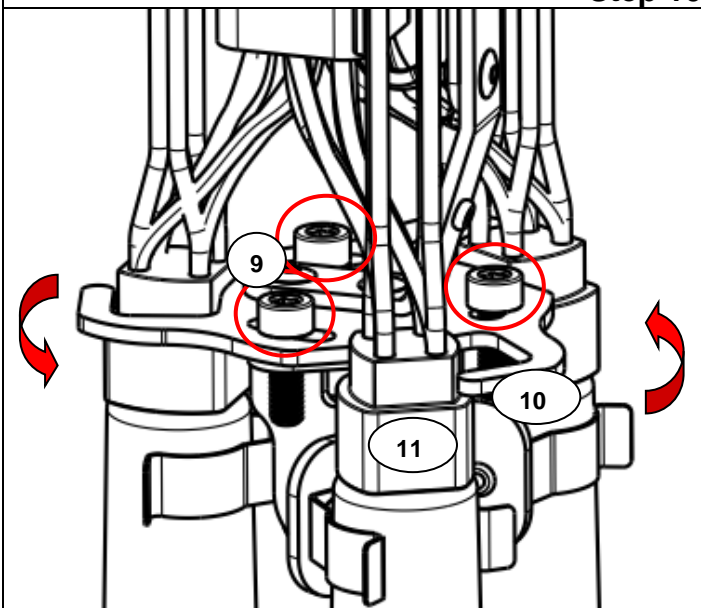
Step 7	
	<p>Pull out the lamp holder (7) at the marked point.</p>

Step 8	
	<p>Release the plug (8) from the lamp holder at the marked point.</p>

Step 9

Pull out the lamp holder (7) at the marked point until you meet with slight resistance.

When pulling the lamp holder out of the device, make sure that the cable (step 8, plug 8) is not damaged by the metal sheets.

Step 10

Open the marked screws (9) and turn the holder (10) counterclockwise until the lamp sockets (11) are free. The screws (9) do not have to be unscrewed completely.

Step 11	
	<p>Carefully pull off the lamp sockets (11).</p>
Step 12	
	<p>Disconnect the UV-C fluorescent tube (12) from the front clip (13).</p>
Step 13	
	<p>Disconnect the UV-C fluorescent tube (12) from the lower clip (14).</p> <p>Dispose of the lamp according to the regulations in your country. Information on this can be found in chapter 10.</p> <p>Repeat steps 12 and 13 with the other UV-C fluorescent tubes.</p> <p>Insert the new UV-C fluorescent tubes (12) into the marked clip (14).</p>
Step 14	
<p>Now work backwards from step 13 to step 1.</p> <p>Congratulation, your air disinfection device is now ready for use again!</p>	

8 Malfunction analysis

If a problem does not appear in our list, please contact our service center directly.

System	Problem	Correction
ROOMMAP500	Device doesn't work.	Check the main switch
		Check the fuse
		Check the wire
	Device switches off.	Check the room temperature (max. 40°C)
		Ventilation slots are covered <ul style="list-style-type: none"> • Free the ventilation slots
		Avoid a source of heat <ul style="list-style-type: none"> • Change the device position
		Avoid direct sun exposure <ul style="list-style-type: none"> • Change the device position
		Noise from the fan cannot be heard <ul style="list-style-type: none"> • Defective ventilation, call the service
	Device switches off after 10 minutes.	Change of operating mode: <ul style="list-style-type: none"> • Turn off the main switch (4). • Press and hold the operating switch (5). • When the button is pressed, the main switch (4) is switched on again and the operating switch is kept pressed for 3 seconds.
	One or more control LEDs do not light up.	UV-C fluorescent tube defective, task a qualified electrician! <ul style="list-style-type: none"> • Note the UV-C lamp number • Change the UV-C lamp



Warning

The device may only be repaired by MyAirProtector GmbH or by repair centers certified by MyAirProtector GmbH.

9 Disposal

ENVIRONMENTAL PROTECTION DIRECTIVE 2002/96 / EC
CORRECT DISPOSAL OF THIS PRODUCT



Within the EU, this symbol indicates that this product must not be disposed of with household waste. Legacy devices contain valuable recyclable materials that should be recycled in order not to harm the environment or human health by uncontrolled waste disposal. Please dispose of old devices using suitable collection systems or return the device to the place where you bought. This will then dispose of it through the proper channels.

Behavior in accordance with the disposal laws see: <https://www.lamprecycle.org/>
Or call 1-800-555-0050 for more information.

10 Index

Bestimmungsgemäße Verwendung	8
Betriebsphasen	9
Organisation	9
Personal	
Auswahl	9
Qualifikation	9
Symbole	
Achtung	7, 8, 9, 19, 25
Gefahr	7, 10
Hinweis	7, 23
Information	5, 7, 8, 20
Warnung	7, 28

Terms of use for specialist information:

- (1) The licensor is liable for intentional or grossly negligent breaches of duty. This also applies to vicarious agents.
- (2) The licensor has unlimited liability for warranties.
- (3) For slight negligence, the licensor's liability is limited to the foreseeable damage typical for the contract.
- (4) The licensor is not liable for damages that cannot be expected to occur under the license agreement.
- (6) Liability for lost profit, for damage from third party claims against the licensee as well as for other consequential damage is excluded.
- (7) The licensor is not liable for the economic success of using the tools or training.
- (8) Liability under the Product Liability Act remains unaffected.

11 Feedback

Your feedback is important to us!

Thank you for having placed your trust in us!

Your opinion is just as important to us as your trust! Only with your help can we continuously improve and adapt our products to your wishes and needs. You can send us your feedback directly via email, our online form or personally.

Your feedback will be sent directly to our service management.

E-mail: feedback@myairprotector.de



Simply use our online form!

1. Scan the QR code
2. Submit a review
3. Improve performance